

# niftylift

# 150T



(A) 14.7m  
48ft 6in



(B) 12.7m  
42ft



(C) 7.55m  
25ft



225kg  
500lbs



1.4m x 0.7m  
4ft 7in x 2ft 4in



(D) 2m  
6ft 7in



(F) 1.6m  
5ft 3in



(G) 3.8m  
12ft 6in



(J) 5.55m  
18ft 3in



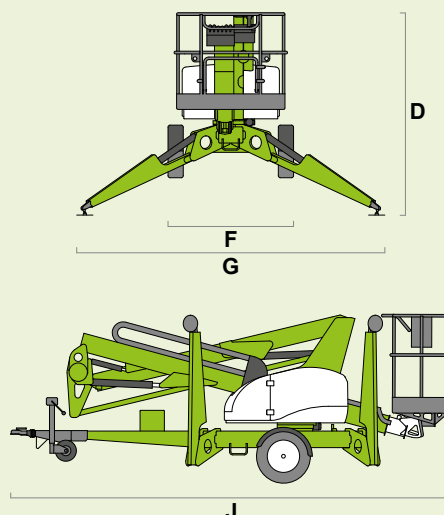
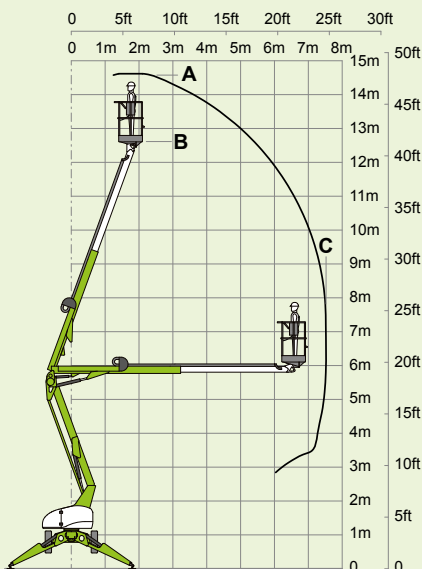
1775kg  
3915lbs



23%  
13°



Bi-Energy



**niftylift**

Chalkdell Drive, Shenley Wood,  
Milton Keynes, MK5 6GF  
England, United Kingdom  
+44 1908 223456  
sales@niftylift.com  
www.niftylift.com

 ISO 9001 QUALITY MANAGEMENT	 ISO 14001 ENVIRONMENTAL MANAGEMENT	 ISO 45001 HEALTH & SAFETY MANAGEMENT
---	--	--

IS-105